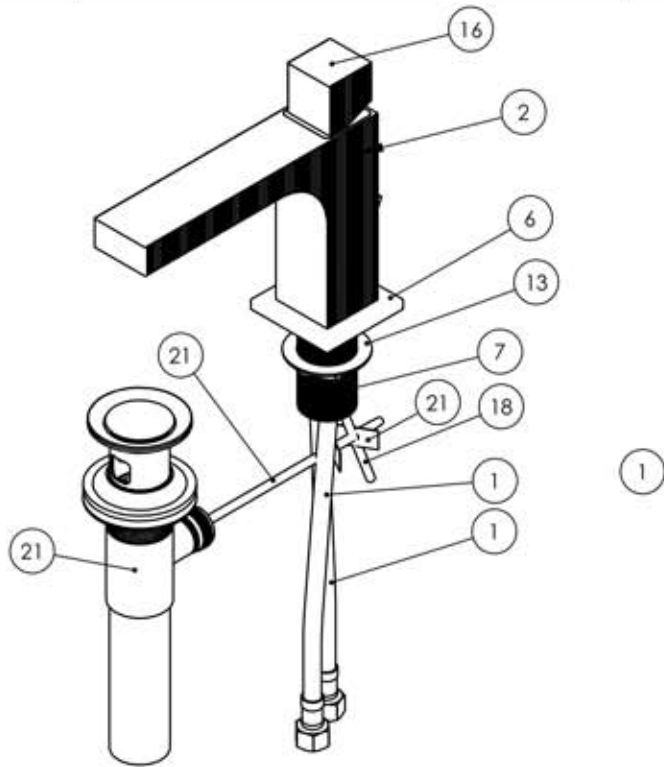


| ITEM NO. | PART NUMBER | DESCRIPTION | QTY. |
|----------|-------------|--|------|
| 1 | 10561 | HOSE, M8 EXT. - 3/8 COMP. X 16"L | 2 |
| 2 | 11045/00 | SHORT BODY, SINGLE LEVER LAV 291 EDGE SERIES | 1 |
| 3 | 10868 | PUCK, SINGLE LEVER LAV | 1 |
| 4 | 10869 | NUT, CARTRIDGE, SINGLE LEVER | 1 |
| 5 | 10870/00 | COVER, SINGLE LEVER LAV | 1 |
| 6 | 11042/00 | BASE, SINGLE LEVER LAV 291 EDGE SERIES | 1 |
| 7 | 10872 | MOUNTING TUBE, SINGLE LEVER LAV | 1 |
| 8 | 90024 | O-RING, 1-1/8"ID X 1-1/4"OD X 1/16"THK, AS-568-024 | 1 |
| 9 | 90026 | O-RING, AS-568-026 | 1 |
| 10 | 90031 | O-RING, 1-3/4"ID X 1-7/8"OD X 1/16"THK, AS-568-031 | 1 |
| 11 | 90120 | O'RING,- #120 | 1 |

| ITEM NO. | PART NUMBER | DESCRIPTION | QTY. |
|----------|-------------|---|------|
| 12 | 90122 | O-RING, 1-1/8" ID X 3/32"THK. AS-568-122 | 1 |
| 13 | 92038-BL | NUT, FLANGED 1-1/4"-20 THREAD | 1 |
| 14 | 92158 | DOWEL PIN, 1/8" X 3/8"L | 1 |
| 15 | 11040/00 | DOME, SINGLE LAVER LAV, HANDLE BASE | 1 |
| 16 | 11043/00 | SINGLE LAV CUBE HANDLE, 291 EDGE SERIES | 1 |
| 17 | 92008 | SET SCREW, CUP POINT 8-32 | 1 |
| 18 | 10878/00 | POP-UP ROD, SINGLE LEVER LAV | 1 |
| 19 | 11044/00 | POP-UP KNOB, SINGLE LEVER LAV EDGE | 1 |
| 20 | 10428 | AERATOR CACHE JUNIOR PCA 1.5 GPM, M21.5 | 1 |
| 21 | 3-046/00 | POP-UP DRAIN ASSEMBLY | 1 |
| | 10790 | BODY, POP-UP DRAIN | 1 |
| | 92091 | PLASTIC GASKET | 1 |
| | 92089 | MOUNTING NUT | 1 |
| | 92090 | NYLON WASHER | 1 |
| | 90505 | CONICAL GASKET, RUBBER | 1 |
| | 90506 | RIM GASKET DRAIN | 1 |
| | 10791 | DRAIN RIM | 1 |
| | 10796 | STOPPER ROD | 1 |
| | 10795 | GUIDE, POP-UP DRAIN | 1 |
| | 10792 | STOPPER DRAIN | 1 |
| | 90507 | GASKET, STOPPER DRAIN | 1 |
| | 90508 | GASKET, BALL ROD | 1 |
| | 10794 | BALL ROD | 1 |
| | 92088 | NUT, BALL ROD | 1 |
| | 10793 | TAIL TUBE | 1 |
| | 92092 | CLIP POP-UP | 1 |
| 22 | 10885 | STSR CARTRIDGE ST325, Joystick 25mm | 1 |
| 23 | 92159 | M3 X 10MM SOCKET HEAD SCREW, STAINLESS S. | 1 |



| ZONE | REV. | DESCRIPTION | DATE | APPROVED |
|---|------|-------------|--|----------|
| REVISIONS | | | | |
| 1261 LOGAN AVENUE COSTA MESA, CALIFORNIA 92626 PHONE: 714.361.4800 FAX: 714.617.3120 | | PHYL RICH® | PROPRIETARY AND CONFIDENTIAL <small>THE INFORMATION CONTAINED IN THIS DRAWING IS THE SOLE PROPERTY OF RISS MANUFACTURING. ANY REPRODUCTION IN PART OR AS A WHOLE WITHOUT THE WRITTEN PERMISSION OF RISS MANUFACTURING IS PROHIBITED.</small> | |
| Defining Luxury Since 1959 | | | | |

| | | | | | |
|----------------------|--|----------------|--|---|--|
| - | | - | | INTERPRET GEOMETRIC DIMENSIONING & TOLERANCING IN ACCORDANCE WITH ASME Y14.5-2009 & ASME Y14.41-2003 STANDARDS, UNLESS OTHERWISE SPECIFIED. DIMENSIONS ARE IN INCHES. TOLERANCES ARE: | |
| NEXT ASSY | | USED ON | | FRACTIONS ±1/64" | DECIMALS X.X: ±.1 X.XX: ±.01 X.XXX: ±.005 |
| APPLICATION | | ANGULAR ±5° | | | |
| MATERIAL | | NAME | | DATE | |
| FINISH | | DRAWN | | CA 11/15/2013 | |
| DO NOT SCALE DRAWING | | CHECKED | | | |

**SINGLE HOLE FAUCET, CUBE HANDLE,
STRIA SERIES, LOW SPOUT**

| | | |
|------------|--------------|--------------|
| SIZE | ASM/PRT NO. | REV |
| A | 291L-08/00 | |
| SCALE: 1:8 | WEIGHT: lbs. | SHEET 1 OF 2 |